
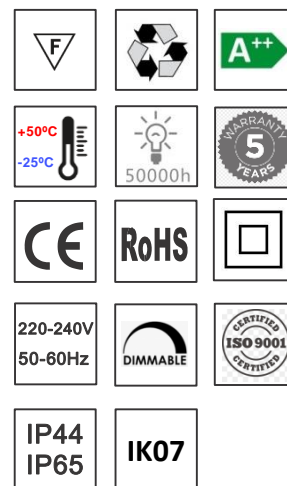
 **DXF1** is a recessed LED Downlight and provide a visual comfortable energy-efficient with a wide uniform general lighting solution, also ideal for use in under canopy or bathroom locations. Application areas: offices, receptions, hospitals, bathrooms, residential, hotels.

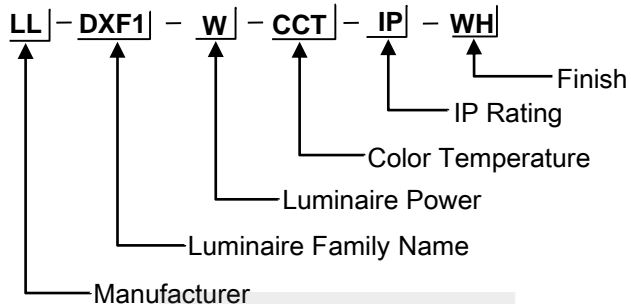
 **DXF1** è un faretto da incasso a LED e fornisce una visuale confortevole ad alta efficienza energetica con una soluzione di illuminazione generale ampia e uniforme, ideale anche per l'uso in ambienti sotto tettoia o bagno. Settori di applicazione: uffici, reception, ospedali, bagni, residenziali, hotel.

TECHNICAL DATA

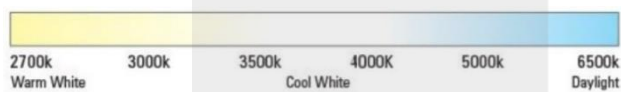
Type	Downlight
Installation	Recessed
Housing	Aluminum
Processing	Powder Coated
Diffuser	Opal Polycarbonate / Tempered clear Glass
Light Emission Direction	Symmetrical
Glow wire test	850°
Safety Class	I
Direct Mounting on Normal Flammable Surface	Yes
Driver Included	Remote
Adjustable	No



MODEL CODE



COLOR TEMPERATURE



- 2700K 3000K 4000K 5000K 6000K

BEAM ANGLE OPTION

- 60° 90° 110° 120°



CONTROL OPTION

- DD DALI DIM
- D1 0-10V DIM
- PD Phase Cut DIM
- D0 On/Off

FINISH OPTION

- WH-White BR-Black GO-Gold CH-Chrome NI-Nickel

	System Wattage (W)	Lumen Output (lm)	Luminaire Efficacy (lm/W)	CRI
<input type="checkbox"/>	9	1125	125	>90
<input type="checkbox"/>	10	1250	125	>90
<input type="checkbox"/>	13	1625	125	>90
<input type="checkbox"/>	16	2000	125	>90
<input type="checkbox"/>	18	2250	125	>90
<input type="checkbox"/>	20	2500	125	>90
<input type="checkbox"/>	22	2750	125	>90
<input type="checkbox"/>	24	3000	125	>90
<input type="checkbox"/>	26	3250	125	>90
<input type="checkbox"/>	30	3750	125	>90

LED CHIPS



LED DRIVERS



TRIDONIC



DONE



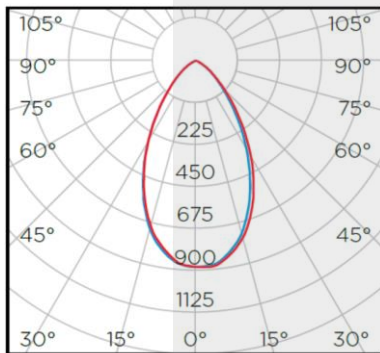
TCI^{LED}
professional led applications

PHILIPS

Helvar

OSRAM

PHOTOMETRIC



cd/klm — CO - C180 — C90 - C270

Separación [m]	Diámetro cónico [m]	E(P) ¹	E(CD)
0.5	1.41	2208	264
1.0	2.81	677	66
1.5	4.22	301	29
2.0	5.63	189	16
2.5	7.04	108	11
3.0	8.44	75	7

Separación [m] Diámetro cónico [m] Intensidad luminica [lx]
 — CO - C180 (Semángulo de dispersión: 109.2°)

DIMENSION

