

SQUARE DOWNLIGHT

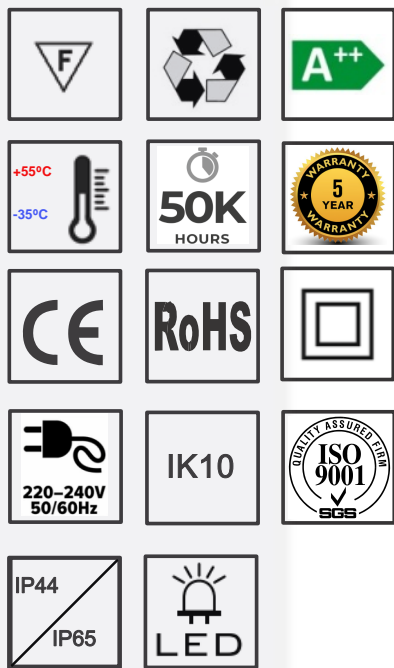


DL29 è un faretto da incasso a LED con un diffusore in vetro trasparente per un aspetto luminoso uniforme di alta qualità, prestazioni rilevanti e facilità di installazione. adattabile a tutti i tipi di controsoffitti modulari e intonaco con diversi diametri, potenza, lumen, angolo del fascio, CRI e opzione CCT.

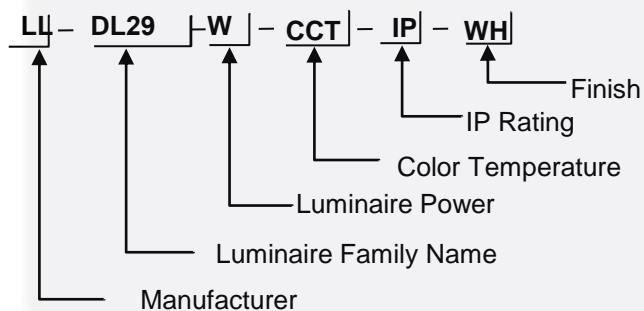
DL29 is a recessed LED Downlight with a clear glass diffuser for high-quality uniform lit appearance, relevant performance, and ease of installation. adaptable to all kinds of modular ceilings and plaster with different diameters, wattage, lumen, beam angle, CRI, and CCT option.

TECHNICAL DATA

Type	Downlight
Installation	Outdoor/Indoor
Housing	Die-cast Aluminium
Diffuser	Tempered safety glass
Light Emission Direction	Asymmetric
Glow Wire Test	850°
Safety Class	II
Driver	On/Off
Direct Mounting on Normal Flammable Surface	Yes
Driver Included	Remote driver required
Adjustable	Fixed/Adjustable



MODEL CODE



Code No.	System Wattage (W)	Lumen Output (lm)	Luminaire Efficacy (lm/W)	CRI
DL29-4W	4	440	110	>90
DL29-6W	6	660	110	>90
DL29-8W	8	880	110	>90

COLOR TEMPERATURE OPTION



2700K 3000K 4000K 5000K 6000K

LED CHIPS

OSRAM

SEOUL

NICHIA

CREE

Panasonic

LUMINUS

TRIDONIC

CITIZEN ELECTRONICS CO., LTD.

TCLE LED
professional led applications

bridgelux
BRIDGING LIGHT AND LIFE™

BEAM ANGLE OPTION

5° 18° 24° 36° 45° 60° 90° 120° Diffused



LED DRIVERS

MW
MEAN WELL

TRIDONIC

EAGLECRISE

HEP
power for light®

laLuce

TCLE LED
professional led applications

PHILIPS

OSRAM

CONTROL OPTION

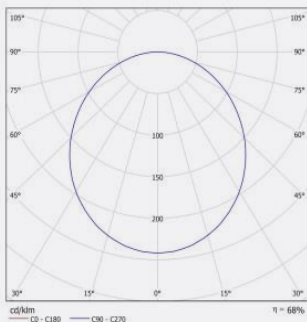
- DD DALI DIM
- D1 0-10V DIM
- PD Phase Cut DIM
- D0 On/Off



FINISH OPTION

- WH- White
- BR- Black

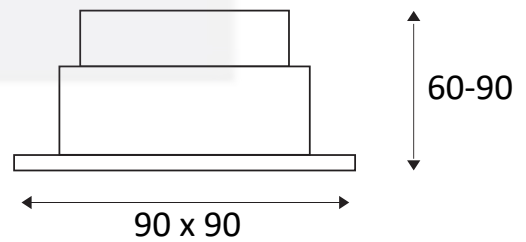
PHOTOMETRIC



Separación [m]	Diámetro cónico [m]	Intensidad luminica [lx]
0.5	1.41	E(0°) 2708 E(C0) 54.6° 264
1.0	2.81	E(0°) 677 E(C0) 54.6° 66
1.5	4.22	E(0°) 301 E(C0) 54.6° 29
2.0	5.63	E(0°) 189 E(C0) 54.6° 16
2.5	7.04	E(0°) 108 E(C0) 54.6° 11
3.0	8.44	E(0°) 75 E(C0) 54.6° 7

— C0 - C180 (Semángulo de dispersión: 109.2°)

DIMENSION



Size in mm.

NOTE: LED CHIPS & LED DRIVERS as per manufacturer's recommendations.