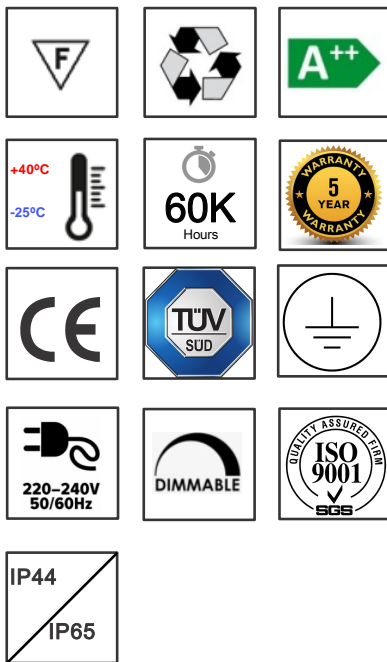
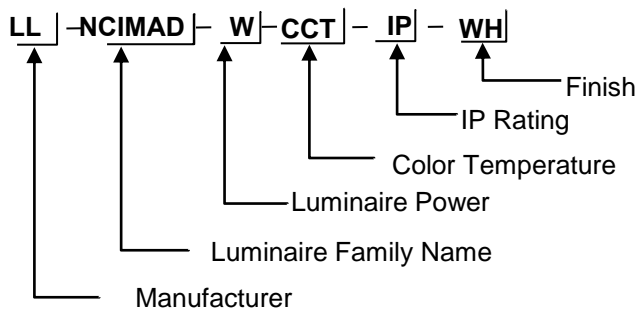


DOWNLIGHT



MODEL CODE



more information in www.la-luce.it

NICMAD è un Faretto LED professionale da incasso con grado di protezione IP elevato (IP 65) ideale per ambienti con un alto tasso di umidità come aree aperte, centri commerciali, uso navale, bagni, saune, centri SPA. diversi diametri, wattaggio, lumen, angolo del fascio, CRI e opzione CCT.

NICMAD is a professional recessed LED Spotlight with high IP grade protection (IP 65) ideal for environments with a high rate of humidity such as open areas, shopping centers, naval use, bathrooms, saunas, SPA centers. different diameters, wattage, lumen, beam angle, CRI, and CCT option.

TECHNICAL DATA

Type	Downlight
Installation	Recessed
Housing	Die cast Aluminum
Diffuser	Safety Glass with Anti-Galre Lens
Light Emission Direction	Asymmetric
Glow Wire Test	850°
Safety Class	II
Driver	On/Off
Direct Mounting on Normal Flammable Surface	Yes
Driver Included	Remote driver required
Adjustable	Fixed/Adjustable

Code No.	System Power (W)	Lumen Output (lm)	Luminaire Efficacy (lm/W)	CRI
<input type="checkbox"/> 3000K NICMAD-6.5W	6.5	747	115	>90
<input type="checkbox"/> NICMAD-7W	7	805	115	>90
<input type="checkbox"/> NICMAD-11W	11	1265	115	>90
<input type="checkbox"/> NICMAD-15W	15	1725	115	>90

Code No.	System Power (W)	Lumen Output (lm)	Luminaire Efficacy (lm/W)	CRI
<input type="checkbox"/> 4000K NICMAD-6.5W	6.5	962	148	>90
<input type="checkbox"/> NICMAD-7W	7	1036	148	>90
<input type="checkbox"/> NICMAD-11W	11	1628	148	>90
<input type="checkbox"/> NICMAD-15W	15	2220	148	>90

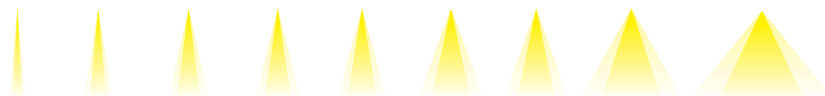
COLOR TEMPERATURE OPTION



2700K
 3000K
 4000K
 5000K
 6000K

BEAM ANGLE OPTION

18°
 33°
 36°
 37°
 46°
 60°
 90°
 120°
 Diffused



CONTROL OPTION

- DD DALI DIM
- D1 0-10V DIM
- PD Phase Cut DIM
- D0 On/Off



LED CHIPS

OSRAM



NICHIA

CREE

Panasonic

LUMINUS

TRIDONIC

TCLE LED

bridgelux

CITIZEN ELECTRONICS CO., LTD.

LED DRIVERS



TRIDONIC



laLuce

TCLE LED

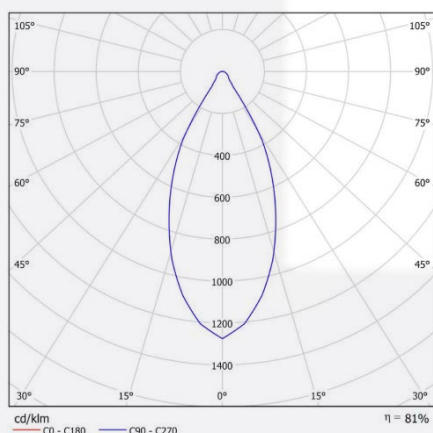
PHILIPS

OSRAM

FINISH OPTION

- WH- White
- BR- Black

PHOTOMETRIC



DIMENSION



D 89.5 * H 108 mm

NOTE: LED CHIPS & LED DRIVERS as per manufacturer's recommendations.