

WALL LIGHT

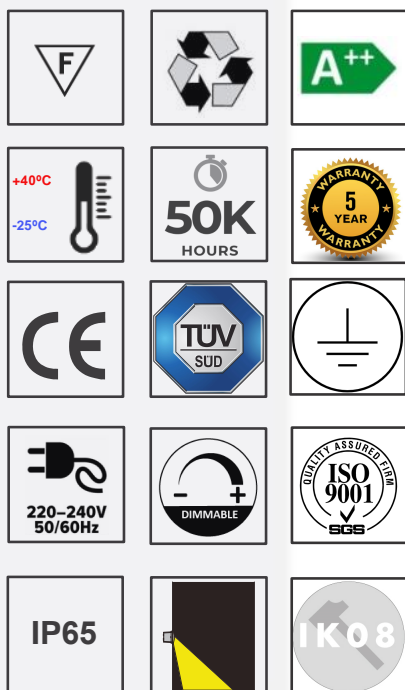


WLR11 è una lampada da parete a LED da incasso, che produce un fascio di luce chiaramente definito. Adattato per illuminare le superfici del terreno con l'orientamento verso il basso della luce con diverse dimensioni, potenza, lumen, angolo del fascio, CRI e CCT.

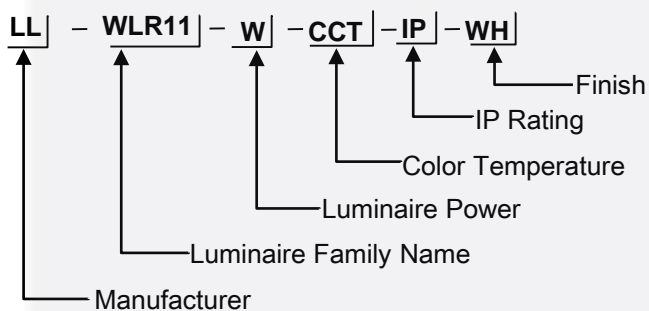
WLR11 is a recessed LED wall light, producing a clearly defined wash of light. Adapted to illuminate ground surfaces with the downward orientation of light with different size, wattage, lumen, beam angle, CRI, and CCT option.

TECHNICAL DATA

Type	Wall Mounted
Installation	Recessed
Housing	Die-cast Aluminum
Processing	Powder Coated
Diffuser	Safety Glass/PMMA
Light Emission Direction	Asymmetric
Glow wire test	850°
Safety Class	II
Direct Mounting on Normal Flammable Surface	Yes
Driver Included	Remote
Adjustable	NO



ORDERING CODE



Code No.	System Power (W)	Lumen Output (lm)	Luminaire Efficacy (lm/W)	CRI
<input type="checkbox"/> WLR11-3W	3	300	100	>90
<input type="checkbox"/> WLR11-6W	6	600	100	>90
<input type="checkbox"/> WLR11-8W	8	800	100	>90
<input type="checkbox"/> WLR11-10W	10	1000	100	>90
<input type="checkbox"/> WLR11-12W	12	1200	100	>90
<input type="checkbox"/> WLR11-16W	16	1600	100	>90
<input type="checkbox"/> WLR11-18W	18	1800	100	>90

COLOR TEMPERATURE OPTION



2700K
 3000K
 4000K
 5000K
 6000K

LED CHIPS

OSRAM



NICHIA

CREE

Panasonic

LUMINUS

TRIDONIC

TCLE LED
professional led applications

bridgelux
BRIDGING LIGHT AND LIFE™

CITIZEN ELECTRONICS CO., LTD.

BEAM ANGLE OPTION

Asymmetric



LED DRIVERS



TRIDONIC



HEP *power for light*

laLuce

TCLE LED
professional led applications

PHILIPS

OSRAM

CONTROL OPTION

DD DALI DIM



D1 0-10V DIM



PD Phase Cut DIM



D0 ON/OFF

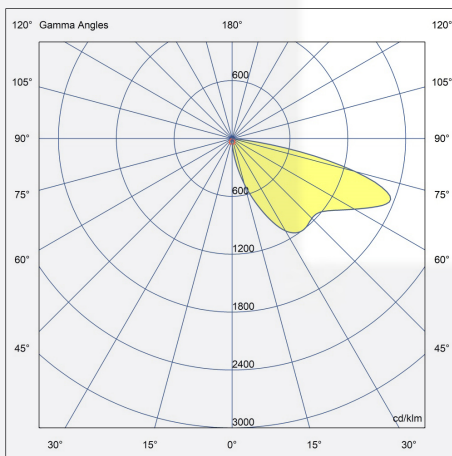
FINISH OPTION



WH-
White

BR-
Black

PHOTOMETRIC



DIMENSION



220*59 H 59 mm

NOTE: LED CHIPS & LED DRIVERS as per manufacturer's recommendations.