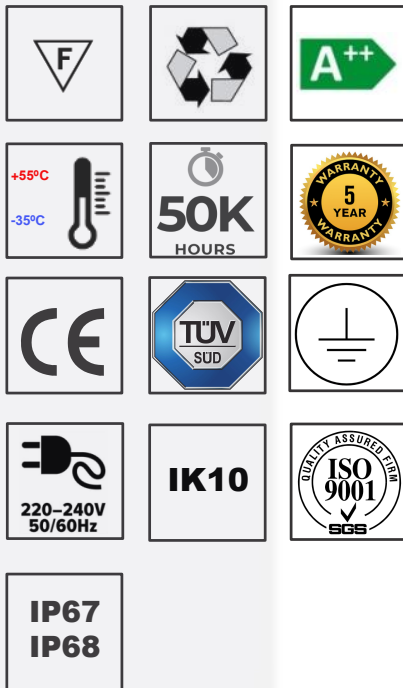
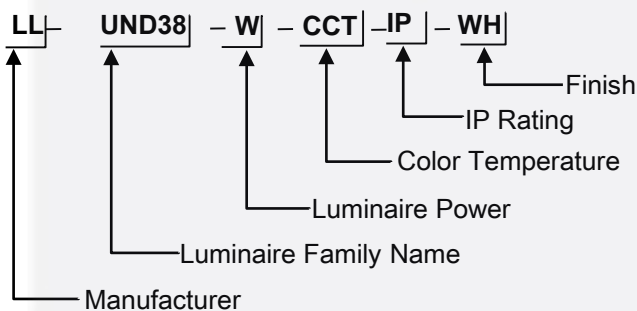


INGROUND LIGHT



ORDERING CODE



UND38 è un apparecchio da incasso a LED da incasso a pavimento compatto carrabile e calpestabile a LED progettato per la segnalazione di strade, piste ciclabili, percorsi pedonali e illuminazione di facciate. con diversi diametri, potenza, lumen, angolo del fascio, opzione CRI e CCT..

UND38 is a recessed LED in-ground Compact drive-over and walk over in-ground recessed LED luminaire designed for the signalization of streets, cycle lanes, and pedestrian ways and facade lighting. with different diameters, wattage, lumen, beam angle, CRI, and CCT option.

TECHNICAL DATA

Type	Inground light
Installation	Recessed
Housing	Die-cast aluminum Stainless steel 316 Cover
Processing	Powder Coated
Diffuser	Tempered safety glass
Light Emission Direction	Symmetrical
Glow Wire Test	850°
Safety Class	II
Direct Mounting on Normal Flammable Surface	Yes
Driver Included	Yes
Gland	IP68 PVC

System Wattage (W)	Lumen Output (lm)	Luminaire Efficacy (lm/W)	CRI
<input type="checkbox"/> 3W	300	100	>80
<input type="checkbox"/> 4W	400	100	>80

COLOR TEMPERATURE OPTION



2700K
 3000K
 4000K
 5000K
 6000K

BEAM ANGLE OPTION

160°
 180°



CONTROL OPTION

- DD DALI DIM
- D1 0-10V DIM
- PD Phase Cut DIM
- D0 On/Off



LED CHIPS

OSRAM

CREE

TRIDONIC

TCLEB
professional led applications



Panasonic

bridgelux
BRIDGING LIGHT AND LIFE™

NICHIA

LUMINUS

CITIZEN ELECTRONICS CO., LTD.

LED DRIVERS



TRIDONIC



laLuce

TCLEB
professional led applications

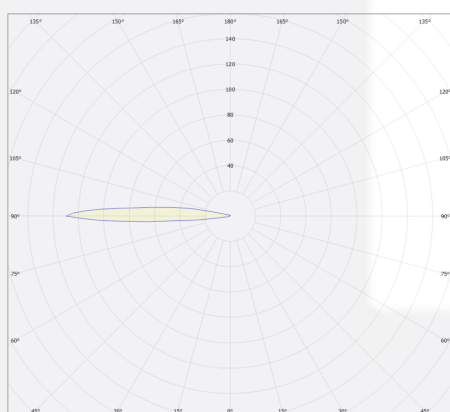
PHILIPS

OSRAM

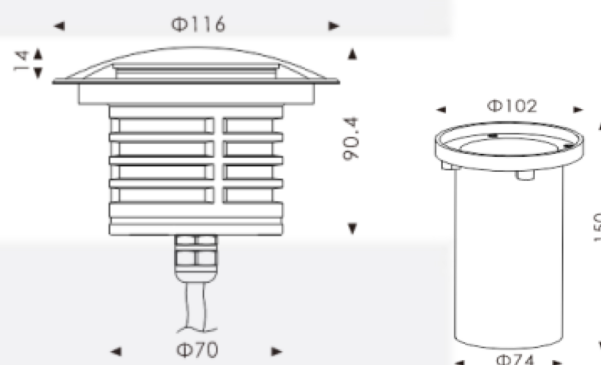
FINISH OPTION

- WH- White
- BR- Black

PHOTOMETRIC



DIMENSION



NOTE: LED CHIPS & LED DRIVERS as per manufacturer's recommendations.