

## STREET LIGHT

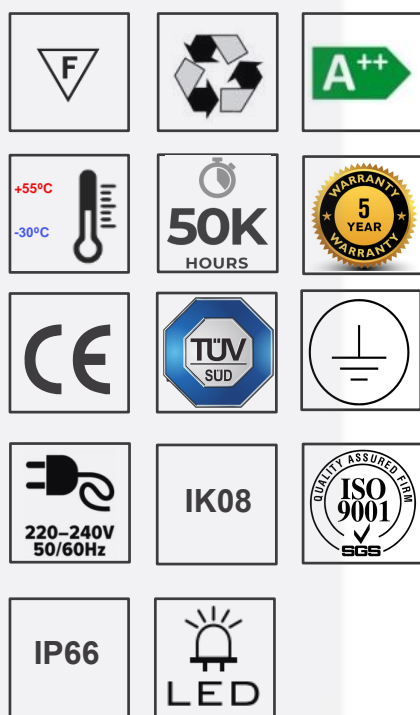


**SLTB4** L'illuminazione stradale è una scelta economica e sostenibile per le città di oggi. progettazione della distribuzione della luce, fornire rapidamente soluzioni di illuminazione. Controlla efficacemente la fuoriuscita, la perdita di luce, l'uniformità e la distribuzione della luce.

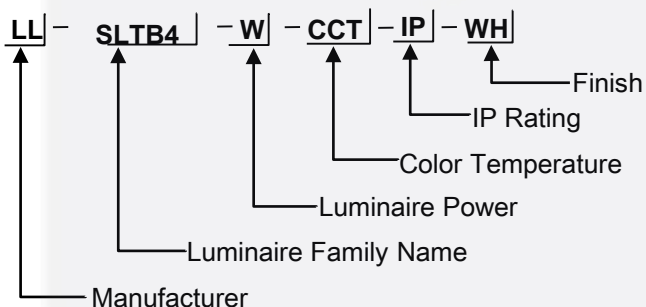
**SLTB4** Street lighting is a cost-effective and sustainable choice for cities today. light distribution design, Provide lighting solutions quickly. Effectively control spillage, loss of light, uniform & light distribution.

### TECHNICAL DATA

Type	Street Lights
Installation	Pole Top
Housing	Die-cast Aluminum
Processing	<b>Powder Coated</b>
Diffuser	Safety Glass
Glow wire test	850°
Safety Class	II
Direct Mounting on Normal Flammable Surface	Yes
Driver Included	Yes
Adjustable	Yes



### ORDERING CODE



Code No.	System Power (W)	Lumen Output (lm)	Luminaire Efficacy (lm/W)	CRI
<input type="checkbox"/> SLTB4-30W	30	4350	145	>90
<input type="checkbox"/> SLTB4-60W	60	8700	145	>90
<input type="checkbox"/> SLTB4-80W	80	11600	145	>90
<input type="checkbox"/> SLTB4-100W	100	14500	145	>90
<input type="checkbox"/> SLTB4-120W	120	17400	145	>90
<input type="checkbox"/> SLTB4-130W	130	18850	145	>90
<input type="checkbox"/> SLTB4-150W	150	21750	145	>90
<input type="checkbox"/> SLTB4-160W	160	23200	145	>90
<input type="checkbox"/> SLTB4-180W	180	26100	145	>90
<input type="checkbox"/> SLTB4-200W	200	29000	145	>90

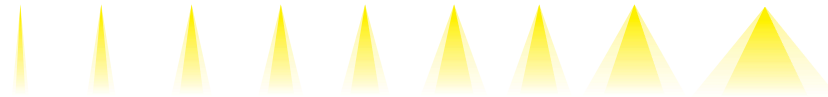
## COLOR TEMPERATURE OPTION



- 2700K 
  3000K 
  4000K 
  5000K 
  6000K

## BEAM ANGLE OPTION

- 5° 
  18° 
  24° 
  36° 
  45° 
  60° 
  90° 
  120° 
  Diffused



## CONTROL OPTION

- DD DALI DIM 
  
 D1 0-10V DIM 
  
 PD Phase Cut DIM 
  
 D0 ON/OFF



## LED CHIPS



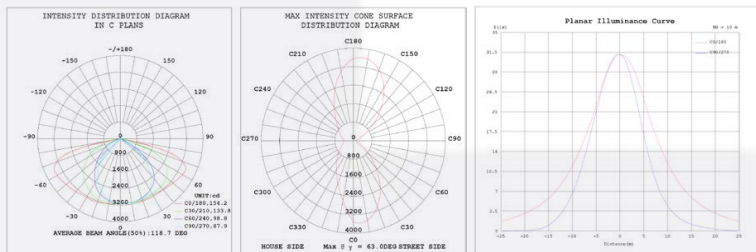
## LED DRIVERS



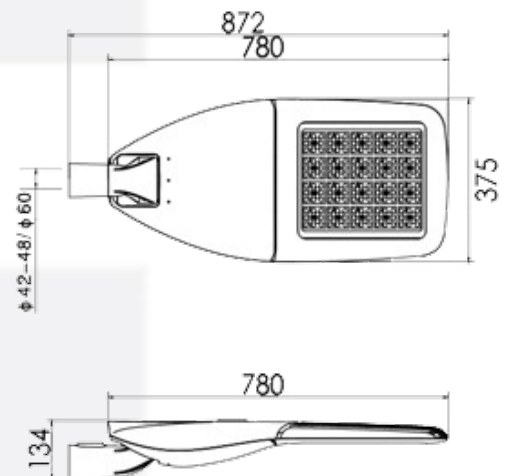
## FINISH OPTION

- WH- White 
  
 BR- Black 

## PHOTOMETRIC



## DIMENSION



NOTE: LED CHIPS & LED DRIVERS as per manufacturer's recommendations.