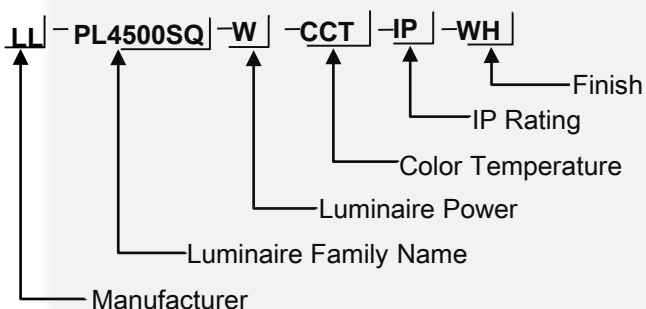


POLE LIGHT



ORDERING CODE



PL4500SQ è un elegante elemento di illuminazione adatto sia all'architettura moderna che a quella classica. Ideale per creare una guida visiva con un comfort visivo eccezionale con diverse opzioni di altezza, potenza, lumen, CRI e CCT.

PL4500SQ is an elegant lighting element that is suitable for both modern and classic architecture. Ideal for creating visual guidance with exceptional visual comfort with different heights, wattage, lumen, CRI, and CCT options.

TECHNICAL DATA

Type	Bollard Light
Installation	Ground Surface
Housing	Die-cast aluminium
Processing	Powder Coated
Diffuser	Tempered Glass Diffuser
Light Emission Direction	Symmetrical
Glow wire test	850°
Safety Class	I
Direct Mounting on Normal Flammable Surface	Yes
Driver Included	Yes
Adjustable	No

System Wattage (W)	Lumen Output (lm)	Luminaire Efficacy (lm/W)	CRI
<input type="checkbox"/> 8	880	115	>90
<input type="checkbox"/> 10	1150	115	>90
<input type="checkbox"/> 15	1725	115	>90
<input type="checkbox"/> 18	2070	115	>90
<input type="checkbox"/> 25	2875	115	>90

COLOR TEMPERATURE OPTION




2700K
 3000K
 4000K
 5000K
 6000K

BEAM ANGLE OPTION

5°
 18°
 24°
 36°
 45°
 60°
 90°
 120°
 Diffused



CONTROL OPTION

- DD DALI DIM 
- D1 0-10V DIM 
- PD Phase Cut DIM 
- D0 ON/OFF

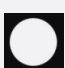

LED CHIPS



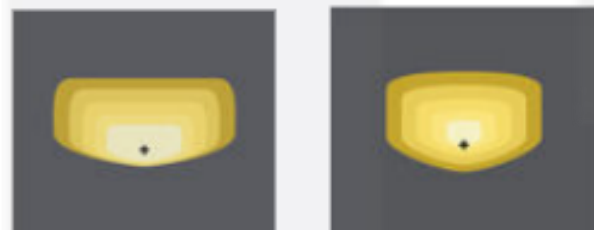
LED DRIVERS



FINISH OPTION

- WH- White 
- BR- Black 

PHOTOMETRIC



T2

T3



T4

NOTE: LED CHIPS & LED DRIVERS as per manufacturer's recommendations.

DIMENSION

