

INGROUND LIGHT

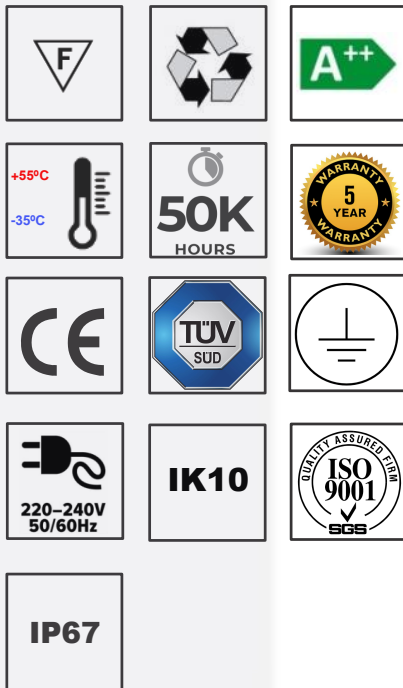


INGR02 è un apparecchio da incasso a LED da incasso a pavimento compatto carrabile e calpestabile a LED progettato per la segnalazione di strade, piste ciclabili, percorsi pedonali e illuminazione di facciate. con diversi diametri, potenza, lumen, angolo del fascio, opzione CRI e CCT..

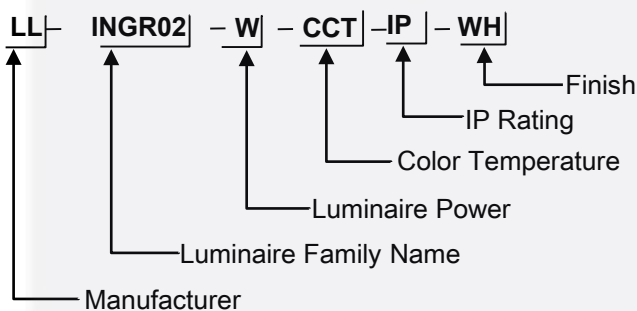
INGR02 is a recessed LED in-ground Compact drive-over and walk over in-ground recessed LED luminaire designed for the signalization of streets, cycle lanes, and pedestrian ways and facade lighting. with different diameters, wattage, lumen, beam angle, CRI, and CCT option.

TECHNICAL DATA

Type	Inground Uplight
Installation	Recessed
Housing	Die-cast aluminum Stainless steel 316 Cover
Processing	Powder Coated
Diffuser	Tempered safety glass
Light Emission Direction	Symmetrical
Glow Wire Test	850°
Safety Class	II
Direct Mounting on Normal Flammable Surface	Yes
Driver Included	Yes
Gland	IP68 PVC



ORDERING CODE



	System Wattage (W)	Lumen Output (lm)	Luminaire Efficacy (lm/W)	CRI
<input type="checkbox"/>	3	300	100	>80
<input type="checkbox"/>	5	500	100	>80
<input type="checkbox"/>	7	700	100	>80
<input type="checkbox"/>	9	900	100	>80
<input type="checkbox"/>	12	1200	100	>80

COLOR TEMPERATURE OPTION



2700K 3000K 4000K 5000K 6000K

BEAM ANGLE OPTION



LED CHIPS



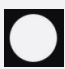

LED DRIVERS



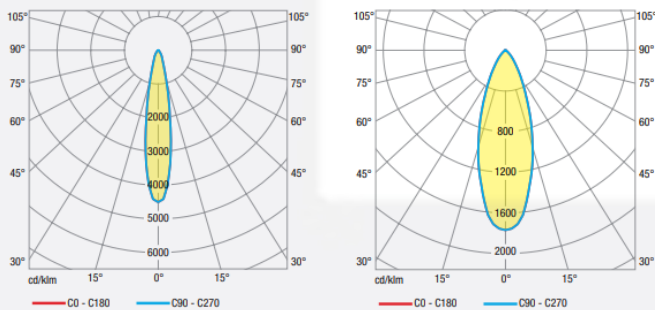
CONTROL OPTION

- DD DALI DIM 
- D1 0-10V DIM 
- PD Phase Cut DIM 
- D0 On/Off

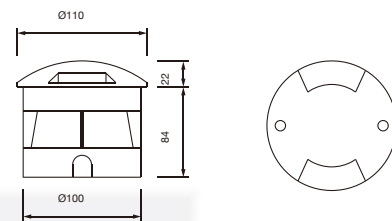
FINISH OPTION

- WH- White 
- BR- Black 

PHOTOMETRIC



DIMENSION



Ø110*H117*Ø105mm

NOTE: LED CHIPS & LED DRIVERS as per manufacturer's recommendations.