

POLE LIGHT



FL24 stradale è una scelta economica e sostenibile per le città di oggi. progettazione della distribuzione della luce, fornire rapidamente soluzioni di illuminazione. Controlla efficacemente la fuoriuscita, la perdita di luce, l'uniformità e la distribuzione della luce.

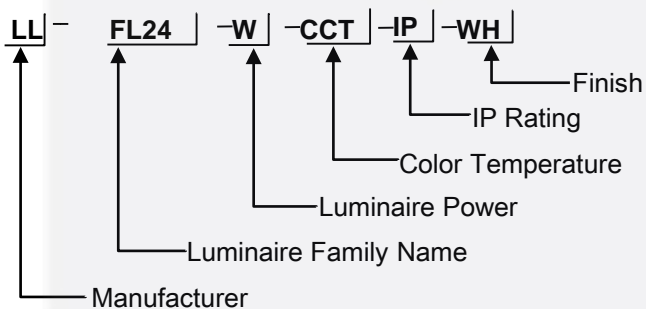
FL24 a cost-effective and sustainable choice for cities today. light distribution design, Provide lighting solutions quickly. Effectively control spillage, loss of light, uniform & light distribution.

TECHNICAL DATA

| | |
|---|-------------------------|
| Type | Pole Light |
| Installation | Ground Surface |
| Housing | Aluminum / Steel |
| Processing | Powder Coated |
| Diffuser | Tempered Glass Diffuser |
| Light Emission Direction | Symmetrical |
| Glow wire test | 850° |
| Safety Class | I |
| Direct Mounting on Normal Flammable Surface | Yes |
| Driver Included | Yes |
| Adjustable | No |



ORDERING CODE



| System Wattage (W) | Lumen Output (lm) | Luminaire Efficacy (lm/W) | CRI |
|-------------------------------|-------------------|---------------------------|-----|
| <input type="checkbox"/> 4x6 | 4x780 | 130 | >80 |
| <input type="checkbox"/> 4x8 | 4x1040 | 130 | >80 |
| <input type="checkbox"/> 4x10 | 4x1300 | 130 | >80 |
| <input type="checkbox"/> 4x12 | 4x1560 | 130 | >80 |
| <input type="checkbox"/> 4x15 | 4x1950 | 130 | >80 |

COLOR TEMPERATURE OPTION




- 2700K
 3000K
 4000K
 5000K
 6000K

BEAM ANGLE OPTION

- 5°
 18°
 24°
 36°
 45°
 60°
 90°
 120°
 Diffused



CONTROL OPTION

- | | | |
|-----------------------------|---------------|---|
| <input type="checkbox"/> DD | DALI DIM |  |
| <input type="checkbox"/> D1 | 0-10V DIM |  |
| <input type="checkbox"/> PD | Phase Cut DIM |  |
| <input type="checkbox"/> D0 | ON/OFF | |

LED CHIPS



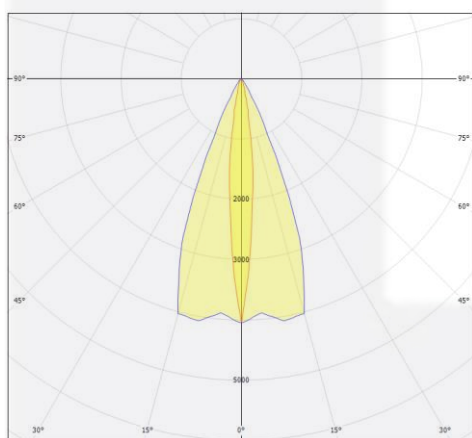
LED DRIVERS



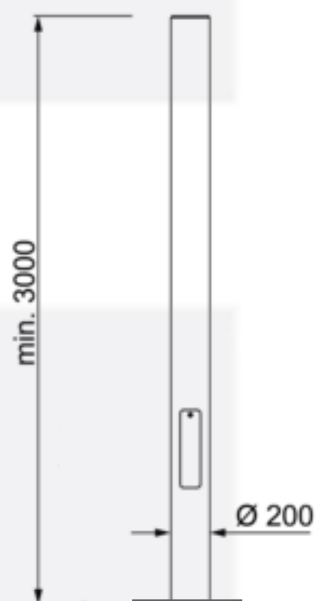
FINISH OPTION

- WH- White
 BR- Black

PHOTOMETRIC



DIMENSION



NOTE: LED CHIPS & LED DRIVERS as per manufacturer's recommendations.