

SPOTLIGHT LIGHT



FL23 è perfetto per evidenziare elementi su edifici o giardini. Sorgente luminosa a LED per il faretto impermeabile, potente, versatile, montato su picchetto da terra. Le sue dimensioni compatte rendono questo apparecchio di illuminazione ideale per qualsiasi numero di applicazioni.

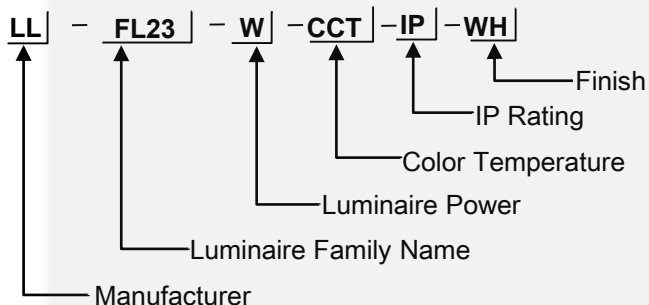
FL23 is perfect for highlighting features on buildings or in gardens. LED light source for the waterproofed, powerful, versatile spotlight, mounted on ground spike. Its compact size makes this light fitting ideally suited to any number of applications.

TECHNICAL DATA

Type	Spike/Surface Light
Installation	Surface
Housing	Die-cast aluminium
Processing	Powder Coated
Diffuser	Safety Glass
Light Emission Direction	Symmetrical
Glow wire test	850°
Safety Class	II
Direct Mounting on Normal Flammable Surface	Yes
Driver Included	Yes
Adjustable	Yes



ORDERING CODE



CodeNo/	System Wattage (W)	Lumen Output (lm)	Luminaire Efficacy (lm/W)	CRI
<input type="checkbox"/> FL23-5W	5	650	130	>90
<input type="checkbox"/> FL23-8W	8	1040	130	>90
<input type="checkbox"/> FL23-12W	12	1560	130	>90
<input type="checkbox"/> FL23-15W	15	1950	130	>90
<input type="checkbox"/> FL23-18W	18	2340	130	>90
<input type="checkbox"/> FL23-20W	20	2600	130	>90
<input type="checkbox"/> FL23-25W	25	3250	130	>90
<input type="checkbox"/> FL23-30W	30	3900	130	>90

COLOR TEMPERATURE OPTION



- 2700K
 3000K
 4000K
 5000K
 6000K

BEAM ANGLE OPTION

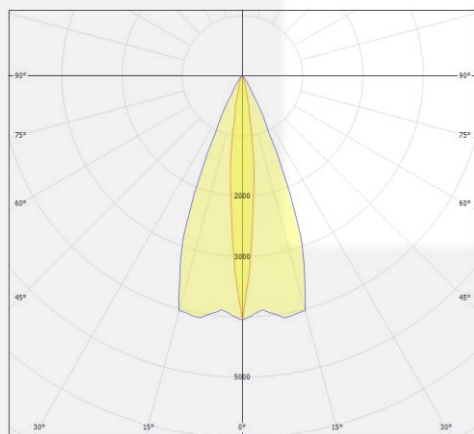
- 5°
 10°
 25°
 35°
 50°
 60°
 90°
 120°



CONTROL OPTION

- DD DALI DIM 
 D1 0-10V DIM 
 PD Phase Cut DIM 
 D0 ON/OFF

PHOTOMETRIC



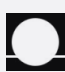

LED CHIPS



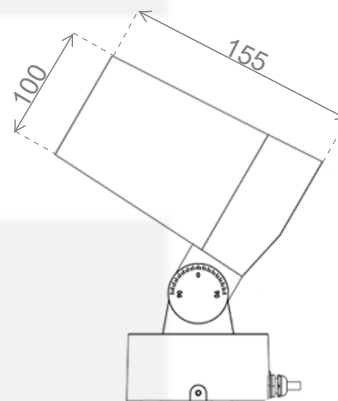
LED DRIVERS



FINISH OPTION

- WH- White 
 BR- Black 

DIMENSION



NOTE: LED CHIPS & LED DRIVERS as per manufacturer's recommendations.