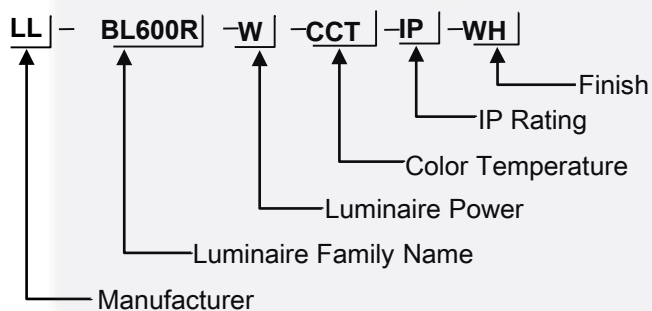


BOLLARD LIGHT



ORDERING CODE



BL600R è un elegante elemento di illuminazione adatto sia all'architettura moderna che a quella classica. Ideale per creare una guida visiva con un comfort visivo eccezionale con diverse opzioni di altezza, potenza, lumen, CRI e CCT.

BL600R is an elegant lighting element that is suitable for both modern and classic architecture. Ideal for creating visual guidance with exceptional visual comfort with different heights, wattage, lumen, CRI, and CCT options.

TECHNICAL DATA

Type	Decorative Bollard Light
Installation	Ground Surface
Housing	Die-cast aluminium
Processing	Powder Coated
Diffuser	Tempered Glass Diffuser
Light Emission Direction	Symmetrical
Glow wire test	850°
Safety Class	I
Direct Mounting on Normal Flammable Surface	Yes
Driver Included	Yes
Adjustable	No

System Wattage (W)	Lumen Output (lm)	Luminaire Efficacy (lm/W)	CRI
<input type="checkbox"/> 8	880	110	>90
<input type="checkbox"/> 10	1100	110	>90
<input type="checkbox"/> 12	1320	110	>90
<input type="checkbox"/> 14	1540	110	>90
<input type="checkbox"/> 16	1760	110	>90
<input type="checkbox"/> 18	1980	110	>90

COLOR TEMPERATURE OPTION



2700K 3000K 4000K 5000K 6000K

LED CHIPS

OSRAM



NICHIA

CREE

Panasonic

LUMINUS

TRIDONIC



CITIZEN ELECTRONICS CO., LTD.

BEAM ANGLE OPTION

5° 18° 24° 36° 45° 60° 90° 120° Diffused



LED DRIVERS



TRIDONIC




PHILIPS

OSRAM

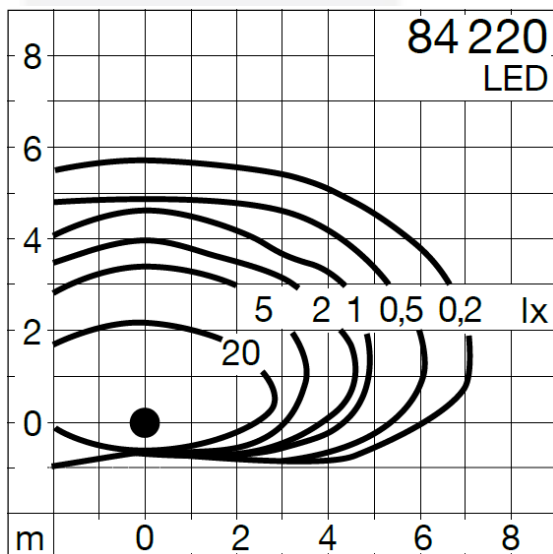
CONTROL OPTION

- DD DALI DIM 
- D1 0-10V DIM 
- PD Phase Cut DIM 
- D0 ON/OFF

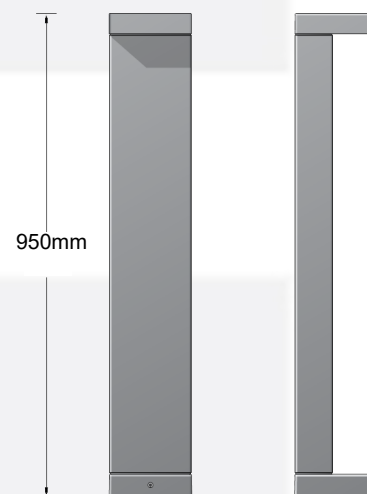
FINISH OPTION

- WH- White 
- BR- Black 

PHOTOMETRIC



DIMENSION



NOTE: LED CHIPS & LED DRIVERS as per manufacturer's recommendations.