

WALL LIGHT

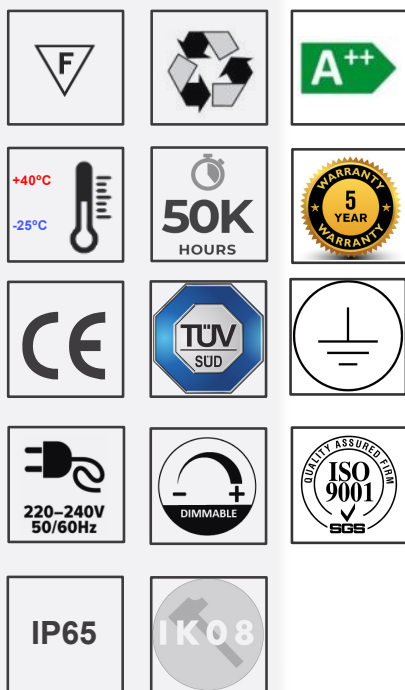


WL02 è l'angolo di irradiazione che può essere regolato manualmente Montando posizioni diverse con i prodotti, inserendo più angoli di giunzione, realizzando diversi effetti di luce, usando la tua immaginazione, tipi di cornici a forma di raggio, varietà di colori. Gli utenti possono cambiare la cornice liberamente.

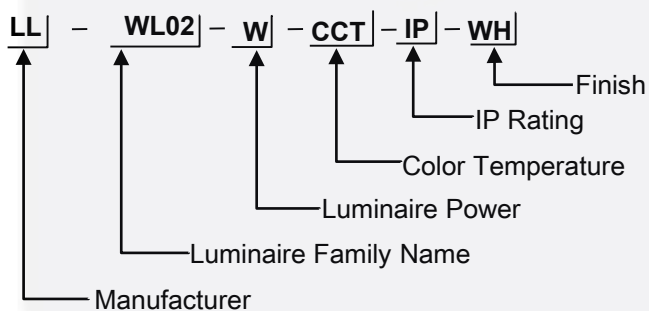
WL02 is the irradiation angle can be adjusted manually Mounting different locations with the products, put multiple splice angle, makes different lighting effects, using your imagination, kinds of radius shape frames, variety of colors. Users can change the frame freely.

TECHNICAL DATA

Type	Wall Mounted
Installation	Surface
Housing	Die-cast Aluminum
Processing	Powder Coated
Diffuser	Clear Polycarbonate
Light Emission Direction	Symmetrical
Glow wire test	850°
Safety Class	II
Direct Mounting on Normal Flammable Surface	Yes
Driver Included	Built-In
Adjustable	Fixed/Adjustable



ORDERING CODE



Code No.	System Power (W)	Lumen Output (lm)	Luminaire Efficacy (lm/W)	CRI
<input type="checkbox"/> WL02-2x3W	2x3W	2x300	100	>90
<input type="checkbox"/> WL02-2x5W	2x5W	2x500	100	>90
<input type="checkbox"/> WL02-2x7W	2x7W	2x700	100	>90
<input type="checkbox"/> WL02-2x9W	2x9W	2x900	100	>90
<input type="checkbox"/> WL02-2x11W	2x11W	2x1100	100	>90

COLOR TEMPERATURE OPTION



- 2700K
 3000K
 4000K
 5000K
 6000K

LED CHIPS



BEAM ANGLE OPTION




- 5°
 18°
 24°
 36°
 45°
 60°
 90°
 120°
 Adjustable





LED DRIVERS



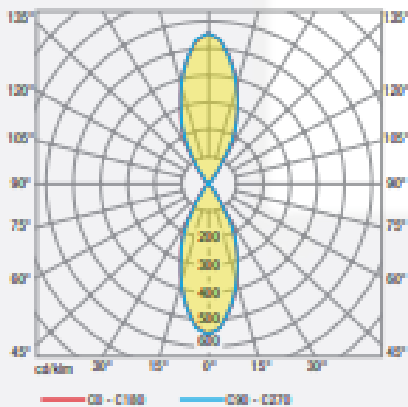
CONTROL OPTION

- DD DALI DIM 
- D1 0-10V DIM 
- PD Phase Cut DIM 
- D0 ON/OFF

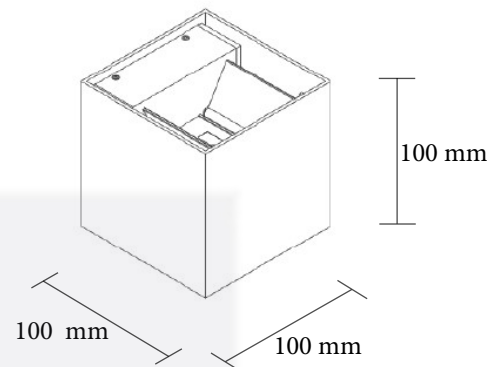
FINISH OPTION

- WH- White 
 BR- Black 

PHOTOMETRIC



DIMENSION



NOTE: LED CHIPS & LED DRIVERS as per manufacturer's recommendations.