



# BOLLARD LIGHT



 **DLW49** è un elegante elemento di illuminazione adatto sia all'architettura moderna che a quella classica. Ideale per creare una guida visiva con un comfort visivo eccezionale con diverse opzioni di altezza, potenza, lumen, CRI e CCT

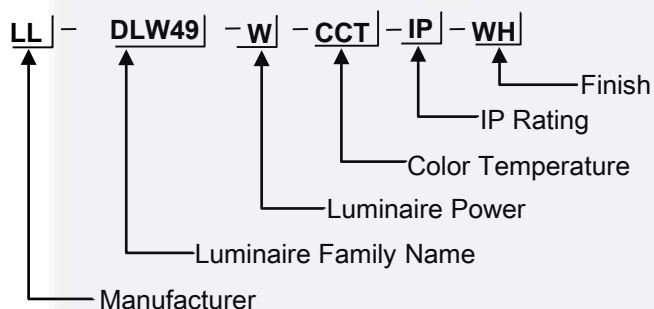
 **DLW49** is an elegant lighting element that is suitable for both modern and classic architecture. Ideal for creating visual guidance with exceptional visual comfort with different heights, wattage, lumen, CRI, and CCT options.

## TECHNICAL DATA

Type	Bollard Light
Installation	Ground Surface
Housing	Die-cast aluminium
Processing	Powder Coated
Diffuser	Clear polycarbonate anti UV Diffuser
Light Emission Direction	360°
Glow wire test	850°
Safety Class	I
Direct Mounting on Normal Flammable Surface	Yes
Driver Included	Yes
Adjustable	No



### ORDERING CODE



Code No.	System Power (W)	Luminaire Efficacy (lm/W)	CRI
<input type="checkbox"/> DLW49-5W	395	79	>90
<input type="checkbox"/> DLW49-10W	790	79	>90
<input type="checkbox"/> DLW49-12W	950	79	>90
<input type="checkbox"/> DLW49-15W	1185	79	>90

## COLOR TEMPERATURE OPTION



2700K 
  3000K 
  4000K 
  5000K 
  6000K

## BEAM ANGLE OPTION

120° 
  360° 
  Asymmetric

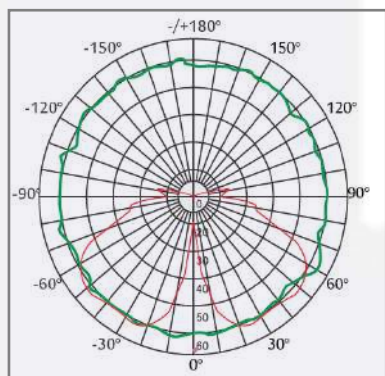


## CONTROL OPTION

- DD DALI DIM
- D1 0-10V DIM
- PD Phase Cut DIM
- D0 ON/OFF



## PHOTOMETRIC



## LED CHIPS

OSRAM



NICHIA

CREE

Panasonic

LUMINUS

TRIDONIC



CITIZEN ELECTRONICS CO., LTD.

## LED DRIVERS



TRIDONIC



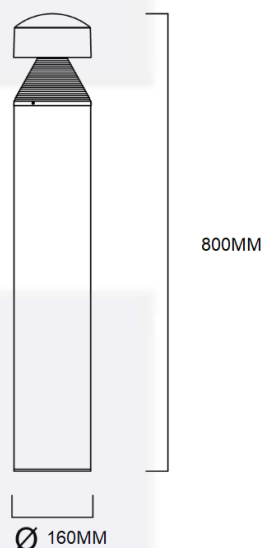
PHILIPS

OSRAM

## FINISH OPTION

- WH- White 
  BR- Black

## DIMENSION



NOTE: LED CHIPS & LED DRIVERS as per manufacturer's recommendations.