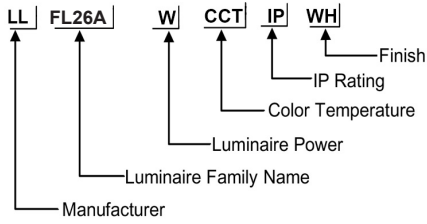


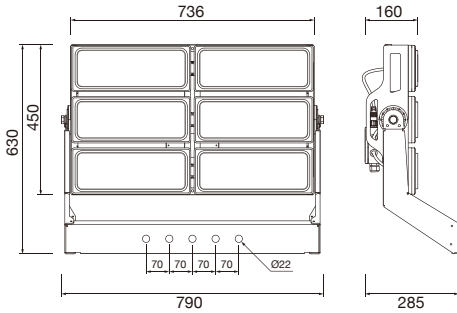


**ORDERING CODE**



**Specification**

- Fixture Material** : Die Cast Aluminium
- Fixture Finish** : Powder Coated
- Diffuser** : Tempered Glass
- Cowl Material** : Die Cast Aluminium
- LED Chip** : CREE
- Binning** : 3 step MacAdam
- Wiring** : 3x1.0 50cm cable with antisiphon plug
- Lifespan** : 50.000 Hrs
- CRI** : >80
- Input Voltage** : 12V AC, 50/60Hz or 220-240V AC, 50/60Hz
- Operating Temperature** : -20°C to 55°C
- Warranty** : 5 Years against manufacturing defects



Power (W)	Lumen Lm	IP Rating	Beam Angle	Available CCT
1200W	180000Lm	66	5°/20°/45°/60°/90°	2700K
1500W	225000Lm			3000K
				4000K
				6000K

SCREEN

BEAM

CUSTOM

FINISH

CUSTOM

COLOR

CUSTOM